

SALAD/SANDWICH PREP TABLE

Signature Series

NPT-072-SA



FEATURES



Temperature range (°C): 0.5-5



Digital temperature control



Natural refrigerant promotes faster cool down and efficient energy consumption



Stainless steel interior and exterior



20 clear plastic pans included



Adjustable heavy duty shelves



Insulated lid maintains food freshness



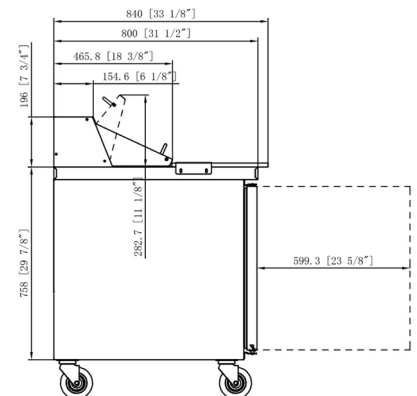
Back mounted compressor

SPECIFICATIONS

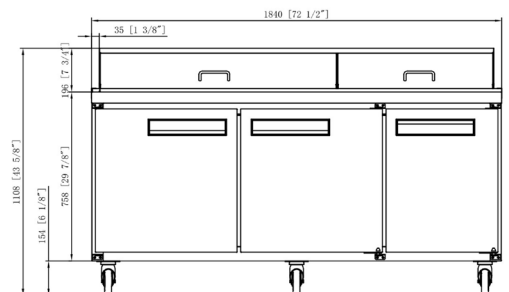
Capacity (Cubic Feet)	17.6
Capacity (Litres)	499
Exterior Unit Dimensions (in)	72.5" (w) x 31.5" (d) x 44" (h)
Exterior Unit Dimensions (cm)	184 (w) x 80 (d) x 112 (h)
Shipping Dimensions with Box (in)	74" (w) x 33" (d) x 50.75" (h)
Shipping Dimensions with Box (cm)	188 (w) x 84 (d) x 129 (h)
Net Weight	341lbs (154.5 kg)
Gross Weight	454lbs (206 kg)
Type of Defrost	Automatic
Cutting Board Included	1
Plastic Pan Dimensions	1/6 PAN 6.93" x 6.38" x 5.91"
Swivel Casters	Yes (3 with brakes)
Adjustable Shelves	3
Voltage	115V/60Hz
Input Power	380
Amperes	3.4
Temperature	0.5-5 °C
Refrigerant (CFC-Free)	R290
Compressor	Embraco (1/4 HP)
Plug Type	Nema 5-15P



Warranty 3 years parts and labour,
2 additional years on the compressor



REGULAR TOP | 20 X 1/6 PAN



DESIGN AND SPECIFICATIONS CAN CHANGE WITHOUT PRIOR NOTICE FOR PRODUCT IMPROVEMENT